

Allproof Low Profile Fire Collar Plastic Pipe through a Speedpanel Wall with Plasterboard Lining or Patch See pg 2 for details

System/FPA Register ID# FC751

Products	Allproof Low-Profile Fire Collar
Application	Fire stopping of plastic pipe in speedpanel wall with plasterboard lining
Construction	Minimum wall thickness 78mm

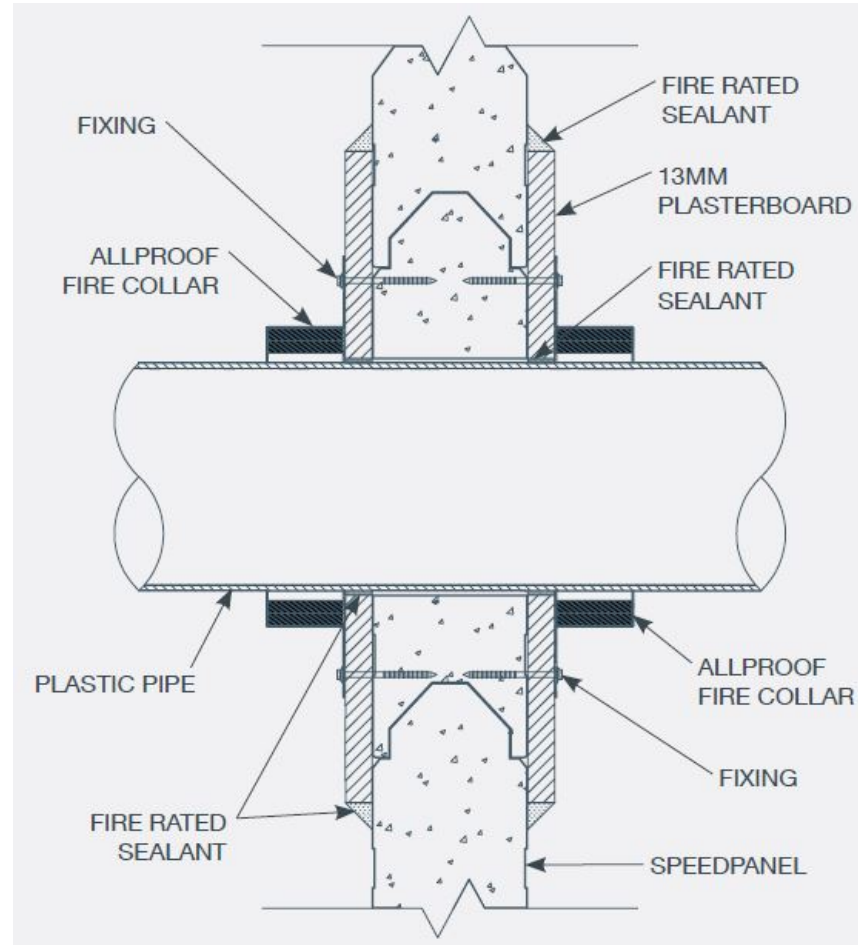
Fire Classification:

See page 2 for details of pipe types, sizes and FRR ratings for:

PVC up to 100mm
 PEX up to 25mm
 PEX/AL/PEX 20mm

INSTALLATION INSTRUCTIONS:

1. Ensure substrate around the service is flat and free from obstructions.
2. Seal the annular space between the wall and the pipe with Allproof MAS310 fire sealant to a depth of 13mm and seal around the plasterboard patch and profile changes as set out on page 2.
3. Open pipe collar and position around the service.
4. Slide tab through slot in pipe collar and fold back 180° to secure.
5. Secure collar using 14-10 x 65mm hex head type 17mm screws.



As a part of our policy of on-going product development and testing, we reserve the right to modify, alter or change product specifications without giving notice. All information contained in this document is given in good faith and is provided for guidance only. Any drawings provided are for illustrative purposes only. As Firestop Centre has no control over the methods or competence of installation and of prevailing site conditions, no warranties, expressed or implied, is intended to be given as to the actual performance of the product mentioned or referred to herein and no liability whatsoever will be accepted for any loss, damage or injury arising from the use of the information given.



Allproof Industries Ltd
 17 Bay Park Place
 Beach Haven, AK 0626

Sheet size: A4	Drawn date & no: 28/7/23
Scale: NTS	Drawn by: G.P

SPEEDPANEL WITH PLASTERBOARD PATCH TEST RESULTS:

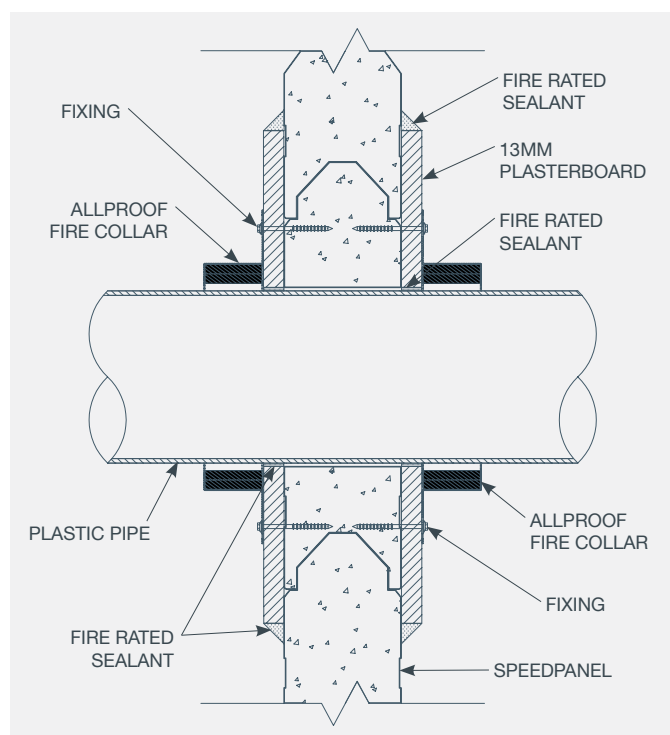
NOMINAL PIPE SIZE (MM)	PANEL DEPTH (MM)	PLASTER-BOARD (MM)	NOMINAL PIPE WALL THICKNESS (MM)	PRODUCT CODE	PENETRATION HOLE SIZE (MM)	WALL FRL	FTC#
PVC PLASTIC PIPE							
40	78	13	2.0	ALLFC40	44	-/120/120	180434.4
50	78	13	2.3	ALLFC50	54	-/120/120	180434.4
65	78	13	2.7	ALLFC65	70	-/120/120	180434.4
80	78	13	2.9	ALLFC80	85	-/120/120	180434.4
100	78	13	3.0	ALLFC100	111	-/120/120	180434.4
PEXa PIPE							
16	78	13	2.6	ALLFC25	19	-/120/120	180434.4
20	78	13	2.9	ALLFC25	25	-/120/120	180434.4
25	78	13	3.7	ALLFC25	28	-/120/120	180434.4
OTHER PLASTIC PIPE							
20 PEX/AL/PEX	78	13	3.1	ALLFC25	25	-/120/120	180434.4

Fixing: 14-10 x 65mm hex head type 17 screws.

Intumescent sealant installed around edge and between Speedpanel and plasterboard where profile changes (see 'Front Detail' below)

Note: Plasterboard patch to be a minimum 100mm length in each direction from the edge of the collar.

SPEEDPANEL WITH PLASTERBOARD PATCH INSTALLATION DETAILS:



SPEEDPANEL WITH PLASTERBOARD PATCH FRONT DETAIL:

